

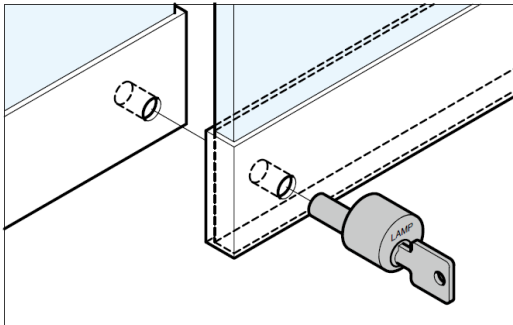
G6300 Door Lock

Features

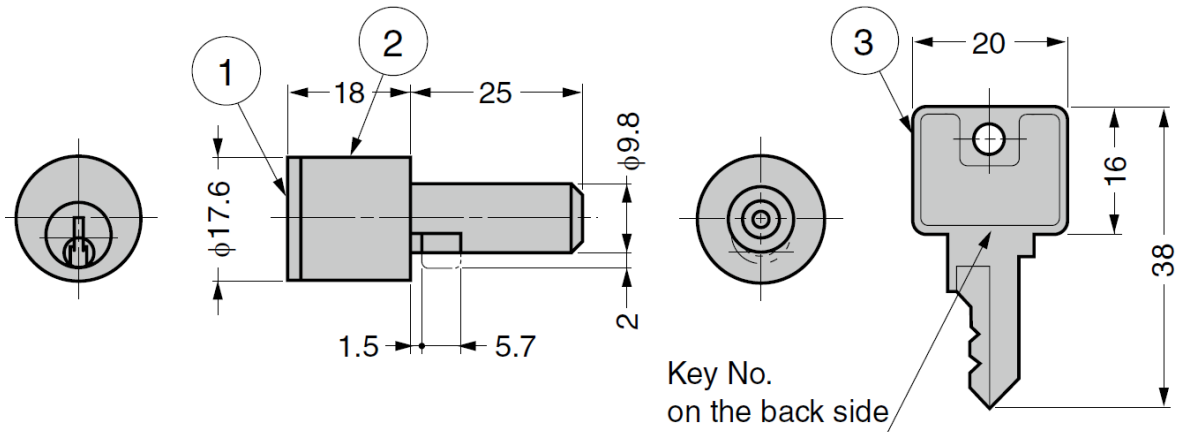
- For metal framed glass doors or sheet metal double sliding doors
- Easy installation, requires only 10 mm bore on the door
- When locking, insert cylinder along with key into the bore. Turn the key to lock and remove the key
- Remove cylinder along with key to unlock
- 96 key changes available



Installation



No.	Part Name	Material	Finish
①	Body	Zinc Alloy (ZDC)	White Bronze Plating
②	Cylinder Case	Brass	Nickel
③	Key		
-	Key Ring	Steel	



Part No.	Key Type	Cylinder Diameter	Frame Thickness	Door Thickness
G6300-D	Keyed Alike	9.8	19	1.2